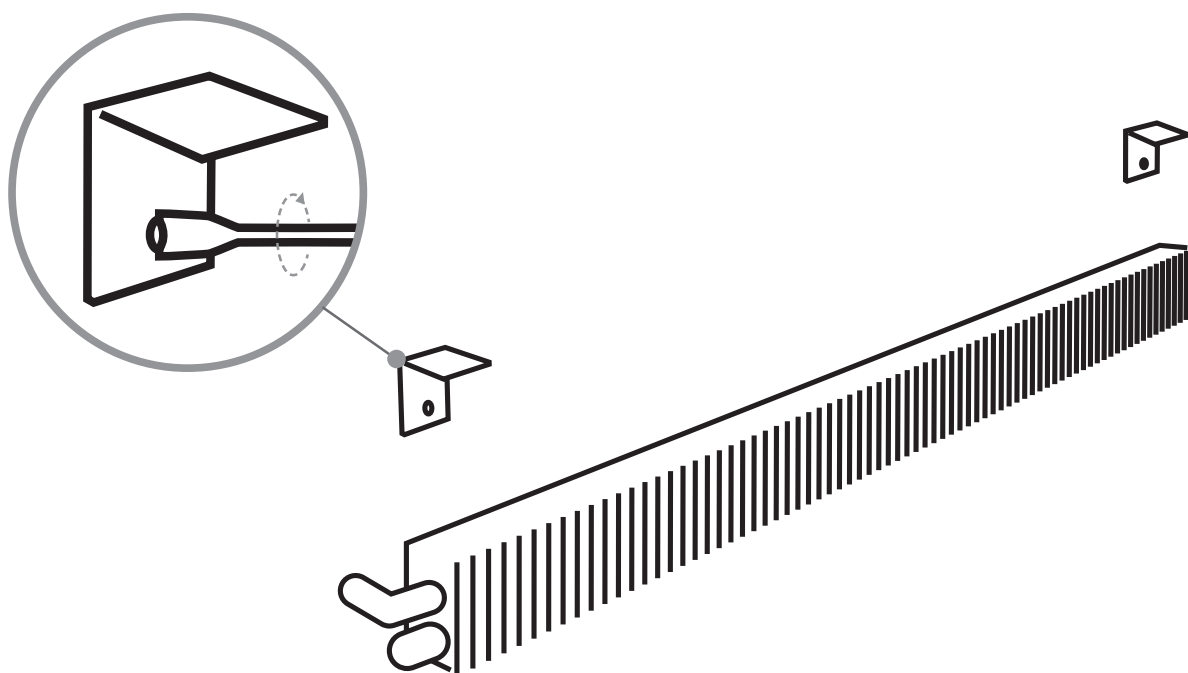

Wall Brackets Installation Guide

 If you do not have an existing back plate, you can use the mounting bracket add-on:

1 Screw-in the brackets to the wall



2 Secure the panel behind the wall brackets

