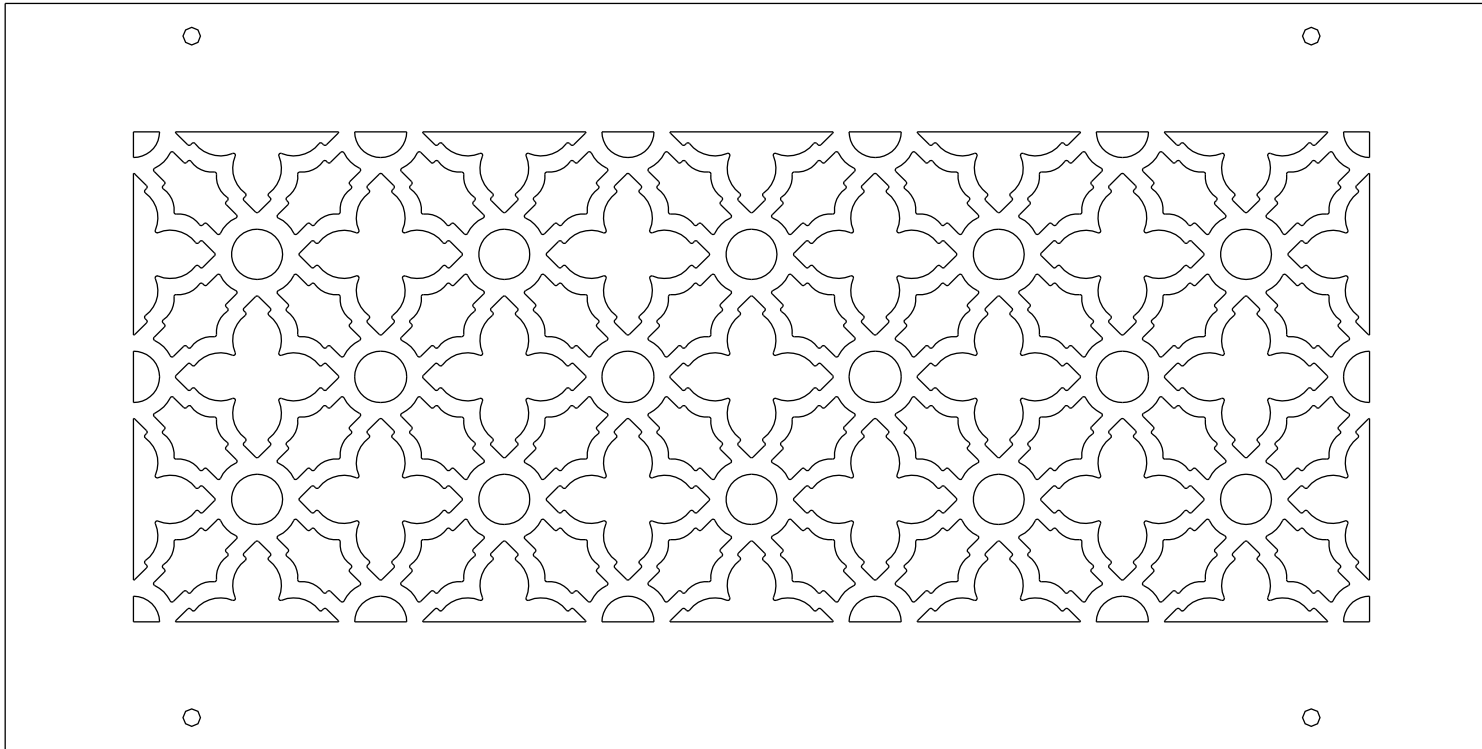
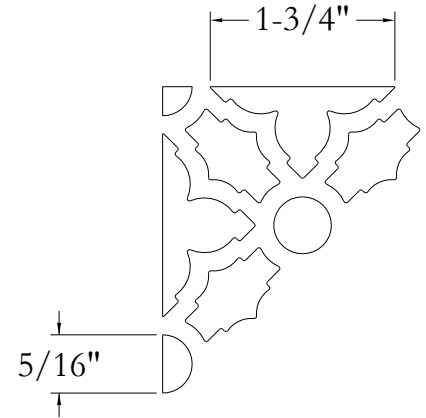


PATTERN DETAIL

MEASUREMENTS

NOTE: MEASUREMENTS ARE APPROXIMATE AND WILL VARY WITH REGISTER SIZE.



Vent+Cover

MATERIAL: 11 GAUGE STEEL
 ABOVE DIMENSIONS ARE IN INCHES
 FINISH: TO BE DETERMINED

PATTERN OPENNESS: 63%

| | |
|----------|----------|
| SCALE | NONE |
| DRAWN | KG |
| DATE | 10-18-18 |
| Q.A. | |
| COMMENTS | |

TRADITIONAL DESIGN