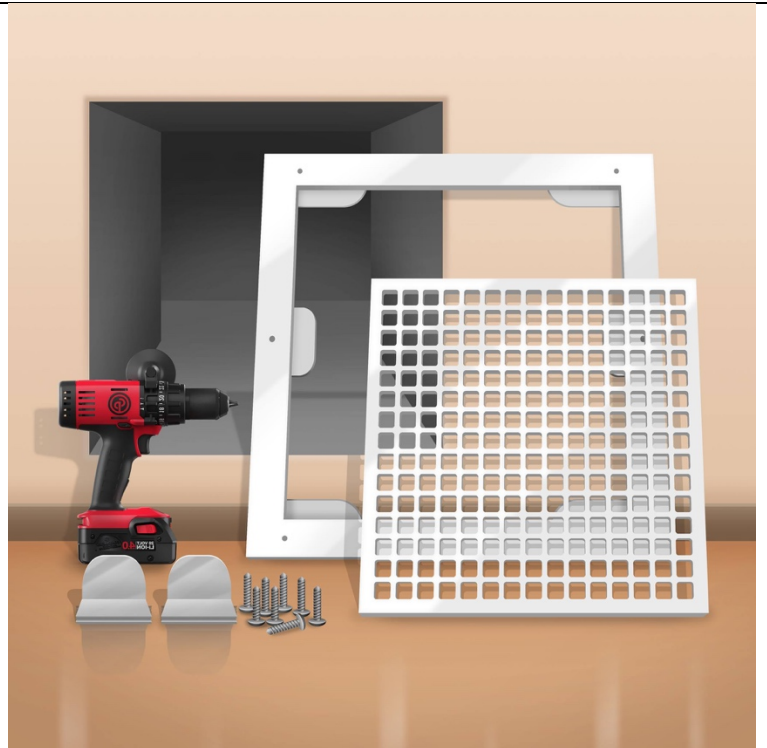


How to Install a Resin Filter Frame Grille

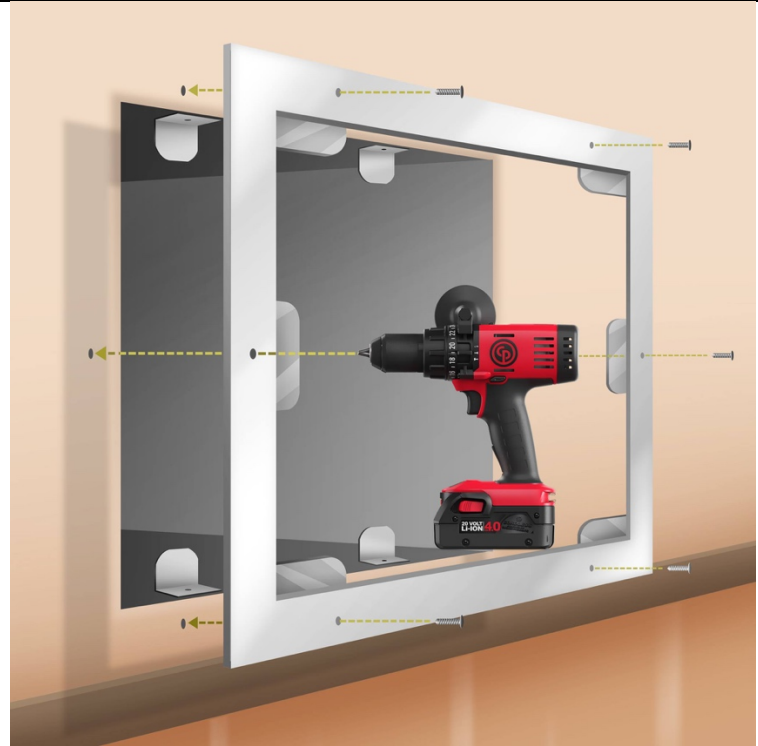
Your Filter Frame Grille will come with frame, screen, filter holder brackets and screws.



Install your filter holder brackets.



Screw the frame into the wall.



Install your filter so it lays on the filter bracket holders behind the metal strips that are on the frame.



Install the screen.

Make sure your magnets have 100% contact with the metal strips that are on the frame.

