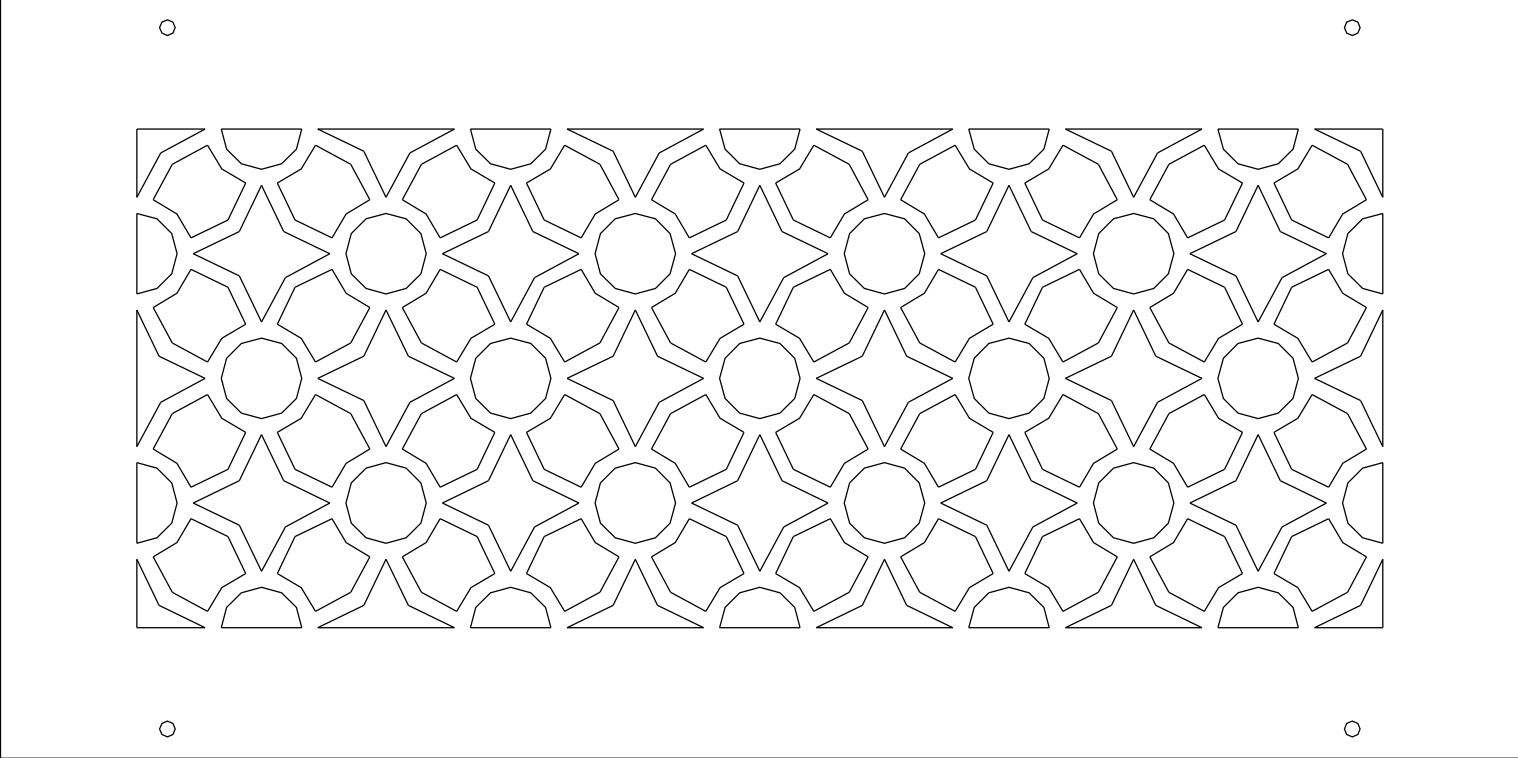
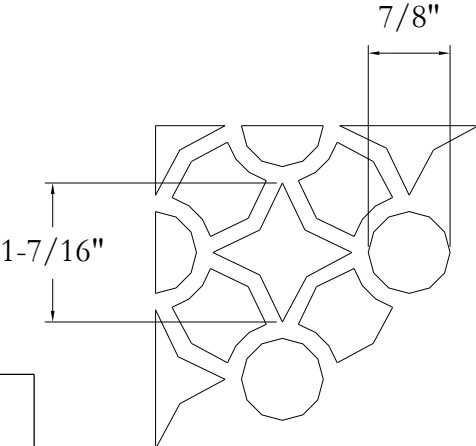


PATTERN DETAIL MEASUREMENTS

NOTE: MEASUREMENTS ARE APPROXIMATE AND WILL VARY WITH REGISTER SIZE.



Vent+Cover

MATERIAL: 11 GAUGE STEEL
 ABOVE DIMENSIONS ARE IN INCHES
 FINISH: TO BE DETERMINED

PATTERN OPENNESS: 67%

SCALE	NONE
DRAWN	KG
DATE	10-18-18
Q.A.	
COMMENTS	

EXPO DESIGN