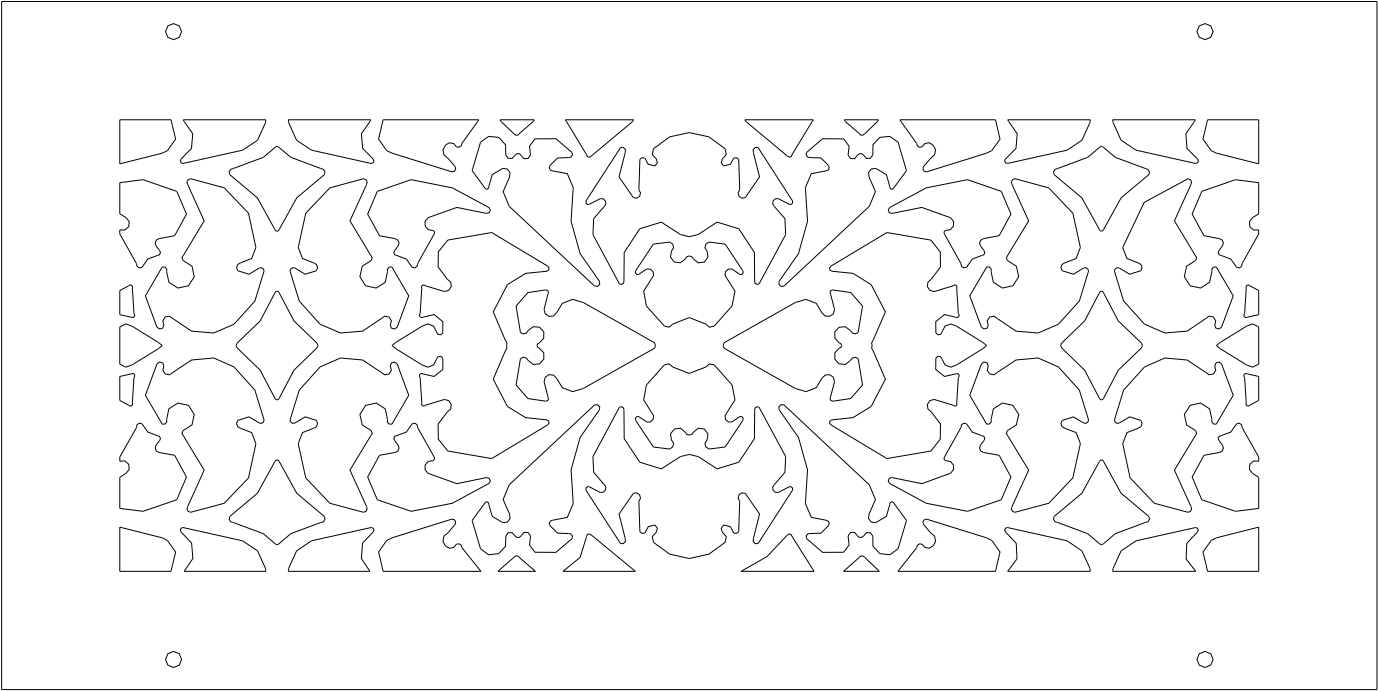
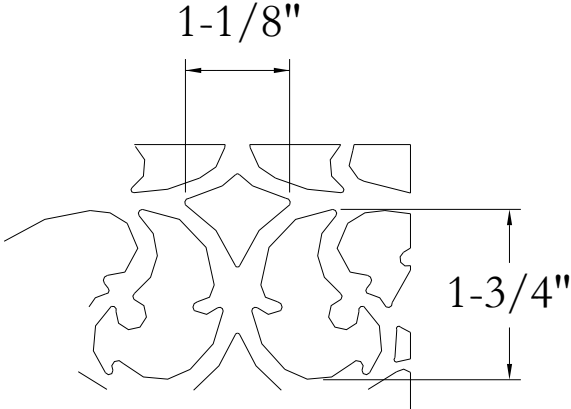


# PATTERN DETAIL MEASUREMENTS

NOTE: MEASUREMENTS ARE APPROXIMATE AND WILL VARY WITH REGISTER SIZE.



**Vent+Cover**

MATERIAL: 11 GAUGE STEEL  
 ABOVE DIMENSIONS ARE IN INCHES  
 FINISH: TO BE DETERMINED

PATTERN OPENNESS: 65%

SCALE	NONE
DRAWN	KG
DATE	10-18-18
Q.A.	
COMMENTS	

**CHARLESTON DESIGN**